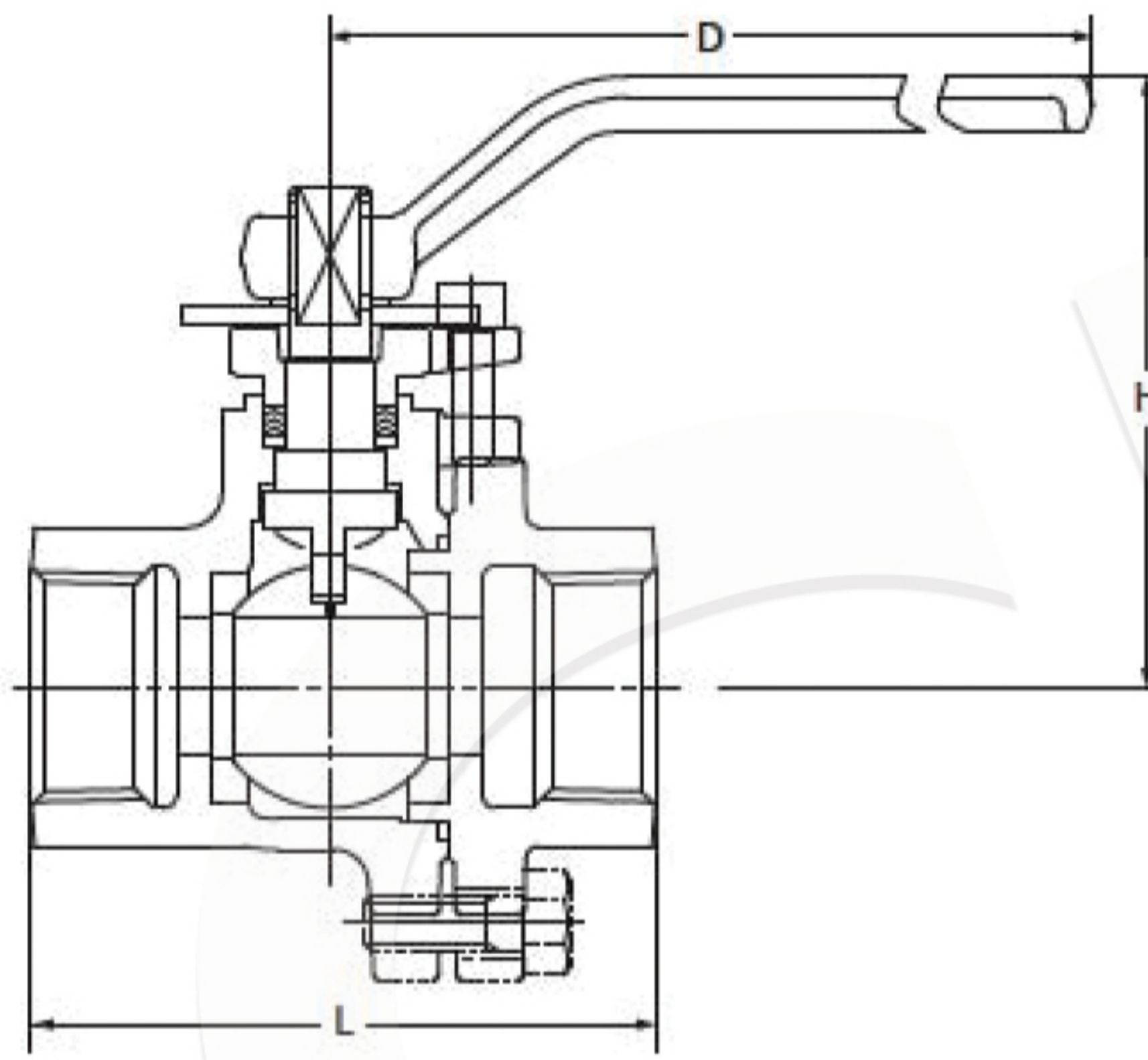


20K Ball Valve Reduced Bore

20ST



End to end : KITZ Std.
End connection : JIS B 0203

Maximum Service Pressure

Code	Temperature	Pressure
20ST	110°C W.O.G.	2.8MPa
	140°C W.O.G.	2.0MPa
20STL	80°C gas.	2.4MPa

● Use for lubricating or hydraulic oil is acceptable.

Materials

Parts	JIS material
Body	FCD-S
Body cap	FCD-S
Stem	SUS403
Ball	SUS304 / SCS13A
Gland	FCD-S
Gland packing	PTFE
Gasket	PTFE
Ball seat	HYPATITE PTFE
O ring *	NBR
Gland bolt	Alloy Steel
Cap bolt	Carbon Steel
Handle	FCD400-15
Name plate *	SUS304

* for 20STL only

Dimensions

Size	mm							
	mm	15	20	25	32	40	50	80 *
	inch	1/2	3/4	1	1 1/4	1 1/2	2	3
L		75	80	90	105	115	130	180
H		106	106	107	129	133	114	154
D		130	130	130	160	160	230	400

※ Custom order item (20STL only).